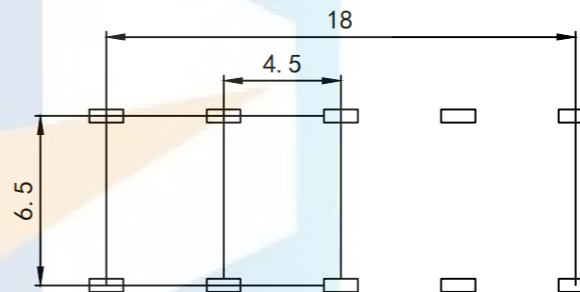
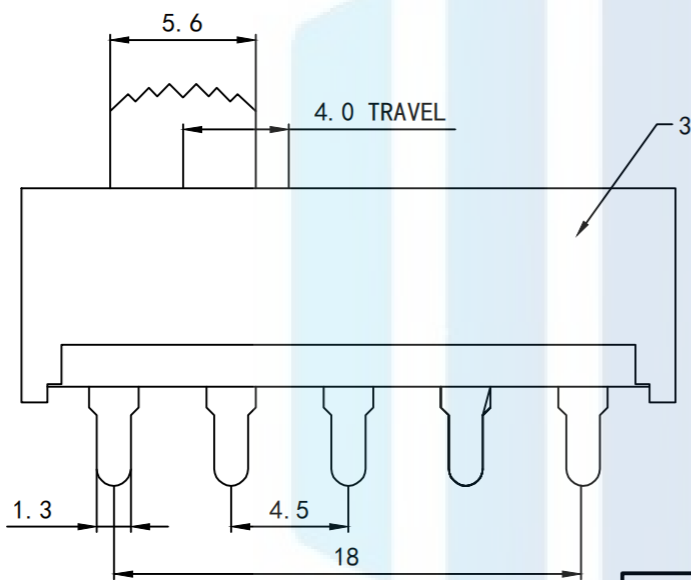
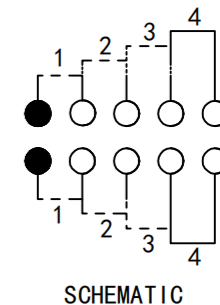
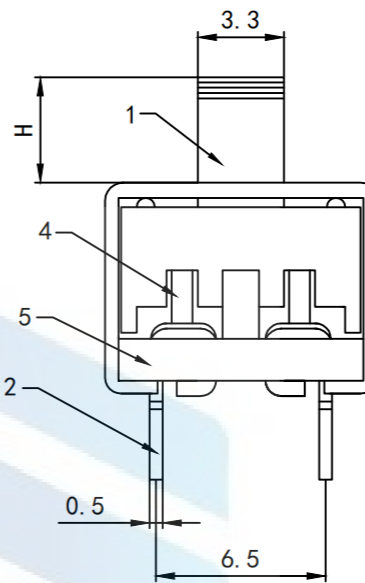
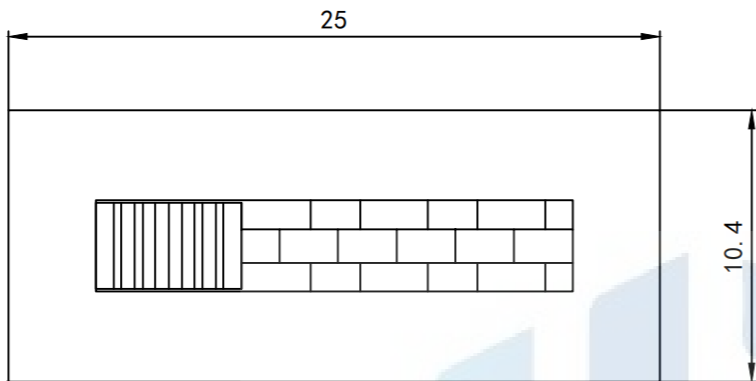


RoHS2.0
Compliant



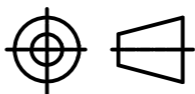
Electrical performance parameters:

1. Rated load :AC125 2A
2. Contact resistance: less than 100 milliohm
3. Insulation resistance: more than 100 megohm
4. Withstand voltage :AC 500V
5. Strength :450±150gf
6. Life :3000 times
7. Wave soldering :255±5 degrees

TOLERANCE

X. XXX	±0.05
X. XX	±0.15
X. X	±0.20
X.	±0.30
ANGLE	±5.0°

PROTECTON



东莞市恒祺电子科技有限公司

Dongguan Hengqi Electronic Technology Co., Ltd

<https://www.hq-dz.com>

phone:15812872448

TITLE:

拨动开关

PART NO:SS-24H20

DRAWING NO:25*10.4*H

DRAWN:

DATE:

18-10-08

UNIT:
mm

CHECKED:

DATE:

18-10-08

SCALE:
FULL

APPROVED:

DATE:

18-10-08

SIZE:
A4