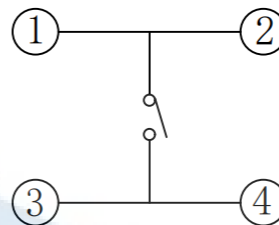
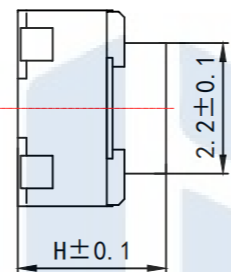
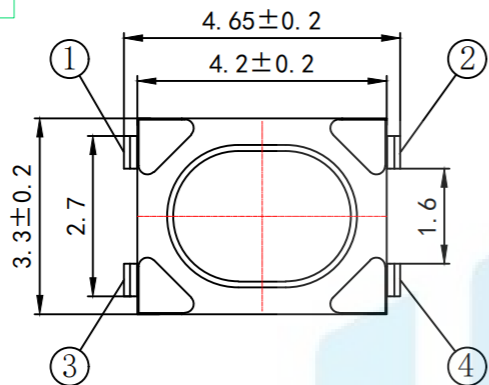
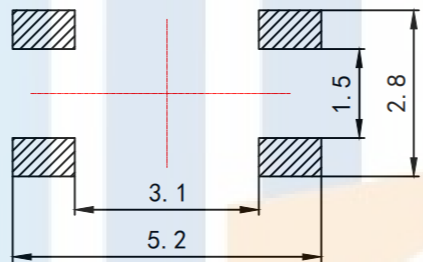
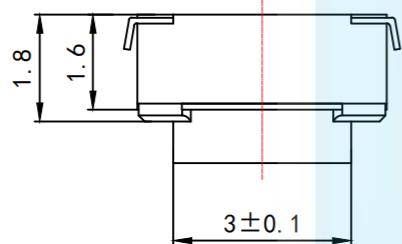


RoHS2.0
Compliant ✓

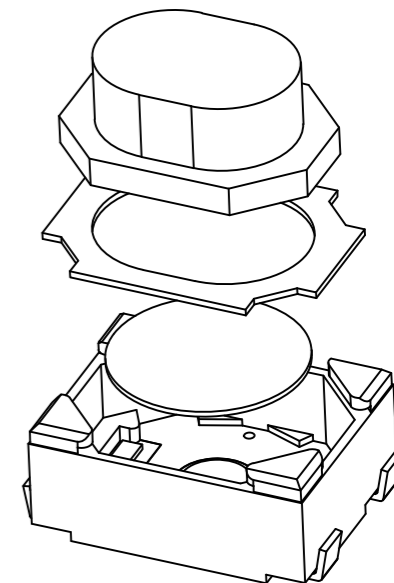
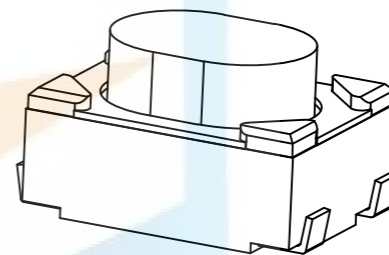
| H |
|-----|
| 2.5 |
| 2.8 |
| 3.5 |
| 4.0 |
| 4.6 |



电路图



PCB. 焊接图



Key Technical Specifications:

1. Rating: 50mA DC12V
2. Contact resistance: $\leq 100m\Omega$
3. Operating force: $160 \pm 40gf$ & $250 \pm 40gf$
4. Itinerary: $0.20 \pm 0.1mm$
5. Insulation resistance: $\geq 100M\Omega$
6. Electrical strength: 250V 50HZ 1Min.
7. life span: 500,000 Cycles

| | | | | |
|--|-----------------------|--|------------------------------|--------------------|
| TOLERANCE X. XXX ± 0.05 X. XX ± 0.15 X. X ± 0.20 X. ± 0.30 ANGLE $\pm 5.0^\circ$ | | 东莞市恒祺电子科技有限公司 Dongguan Hengqi Electronic Technology Co., Ltd | | |
| | | https://www.hq-dz.com phone: 15812872448 | | |
| PROTECTON | TITLE: 轻触开关 | | PART NO: HQ-TS-A016-1 | |
| | DRAWN: | | DRAWING NO: 3*4*H硅胶U脚 | |
| | CHECKED: | DATE: 18-10-08 | UNIT: mm | SCALE: FULL |
| APPROVED: | DATE: 18-10-08 | DATE: 18-10-08 | SIZE: A4 | |