

RoHS2.0
Compliant

NOTE:

1. MATERIAL SPECIFICATION:

- 4HCNC
- 2. CONTACTS: COPPER ALLOY (C7025)
- 3. MID PLATE: STAINLESS STEEL (SUS301)
- 4. FRONT SHELL: STAINLESS STEEL (SUS304)
- 5. EMI PLATE: STAINLESS STEEL (SUS304)

2. PLATING SPECIFICATION:

- 2-1. CONTACTS: Ni50u" MIN. UNDER PLATED OVER ALL. AU PLATED ON THE FUNCTIONAL AREA OF CONTACT (GOLD PLATING THICKNESS FOLLOW THEP/N) PLATING SPECIFICATIONS OF THE SOLDER AREA FOLLOW THE P/N

2-2. FRONT SHELL:

- Ni 30u" MIN. UNDER PLATED OVER ALL.

2-3. MID PLATE&EMIPLATE: CLEAR ONLY

3. MECHANICAL PERFORMANCE

- 3-1. INSERTION FORCE: 0.5~2.0kgf.
- 3-2. REMOVAL FORCE: 0.8kgf~2.0kgf.
- 3-3. DURABILITY: 10000 CYCLES.

4. ELECTRICAL PERFORMANCE,

- 4-1. CURRENT RATING: 3.0AVOLTAGE RATING: 5.0V

4-2. LLCR

VES & GND PINS AND OTHER PINS: 40mR/PIN

MAXSHIELD: 50m2/MAX. LLCR MAX: CHANGE OF ALL PINS: 10m2.

4-3. INSULATION RESISTANCE: 100MMIN

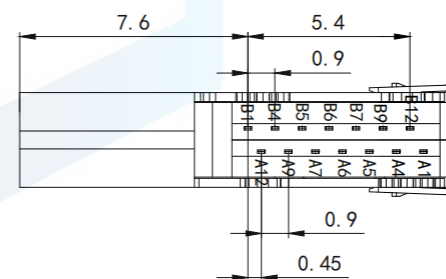
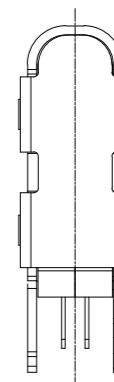
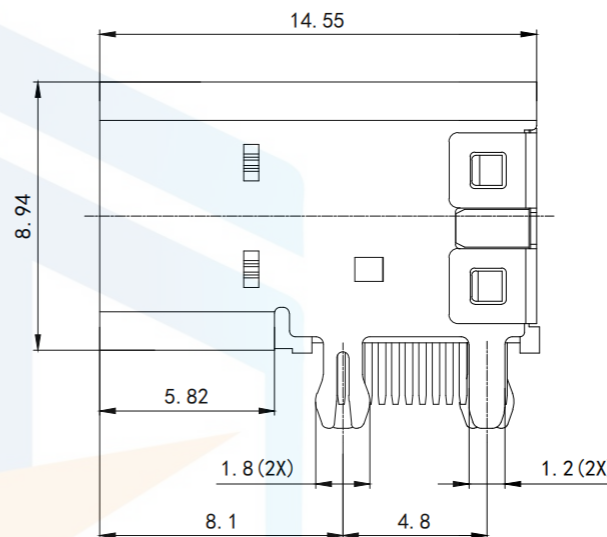
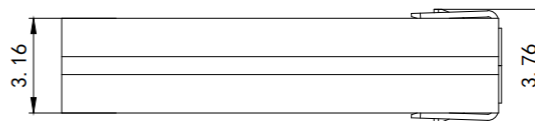
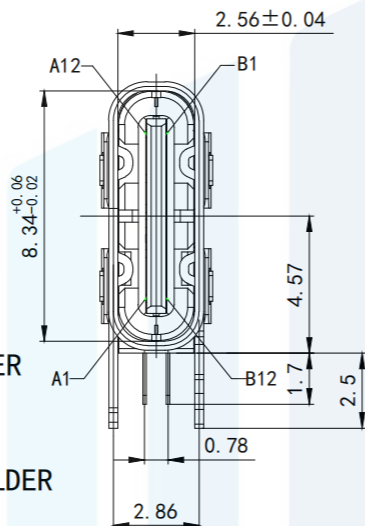
4-4. DIELECTRIC WITHSTAND VOLTAGE, AC 100V FOR 1 MINUTE

5. ENVIRONMENTAL PERFORMANCE: OPERATING

TEMPERATURE: -25'C~+85'C

6. IR REFLOW:

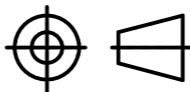
THE PEAK TEMPERATURE ON THE BOARD SHALLBE MAINTAINED FOR 10 SECONDS AT 260C.



TOLERANCE

X. XXX	±0.05
X. XX	±0.15
X. X	±0.20
X.	±0.30
ANGLE	±5.0°

PROTECTON



东莞市恒祺电子科技有限公司

Dongguan Hengqi Electronic Technology Co., Ltd

<https://www.hq-dz.com>

phone: 15812872448

TITLE:

TYPE C 14P侧插

PART NO: 成品图

DRAWING NO: 14.55*8.94*3.16

DRAWN:

DATE: 18-10-08

UNIT: mm

CHECKED:

DATE: 18-10-08

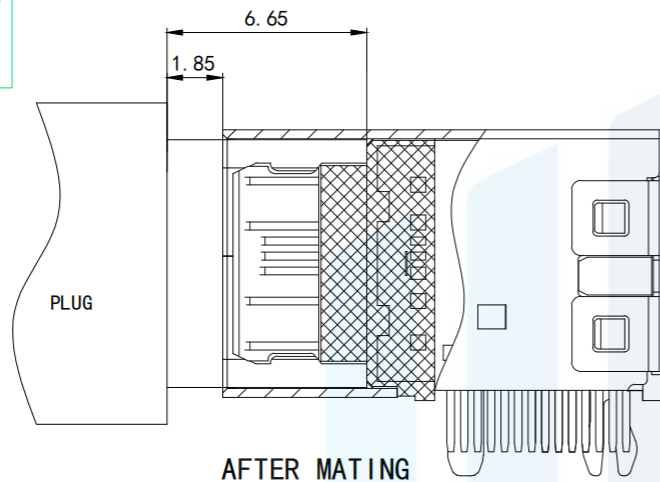
SCALE: FULL

APPROVED:

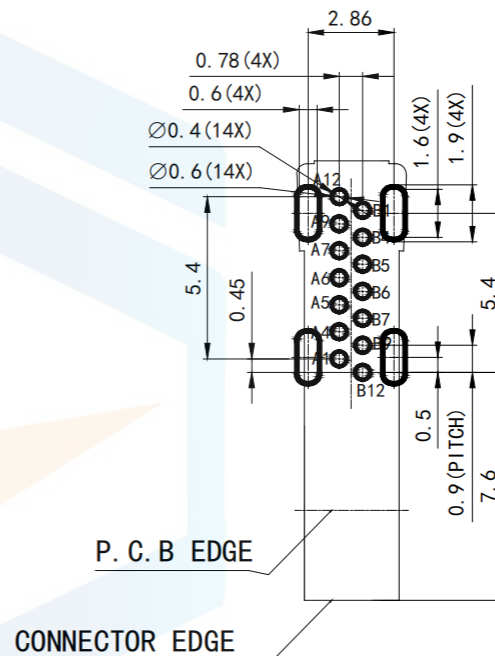
DATE: 18-10-08

SIZE: A4

RoHS2.0
Compliant ✓



Pin	Signal Name	Pin	Signal Name
A1	GND	B12	GND
A4	VBus	B9	VBus
A5	CC1	B7	DN2
A6	DP1	B6	DP1
A7	CC2	B5	CC2
A9	VBus	B4	VBus
A12	GND	B1	GND



RECOMMENDED P. C. B. LAYOUT
TOLERANCE UNSPECIFIED +0.05mm

TOLERANCE

X. XXX	±0.05
X. XX	±0.15
X. X	±0.20
X.	±0.30
ANGLE	±5.0°



东莞市恒祺电子科技有限公司
Dongguan Hengqi Electronic Technology Co., Ltd

<https://www.hq-dz.com>

phone: 15812872448

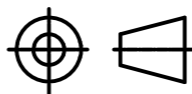
TITLE:

TYPE C 14P侧插

PART NO: 成品图

DRAWING NO: 14.55*8.94*3.16

PROTECTON



DRAWN:

CHECKED:

APPROVED:

DATE:

DATE:

DATE:

18-10-08

18-10-08

18-10-08

UNIT:
mm

SCALE:
FULL

SIZE:
A4