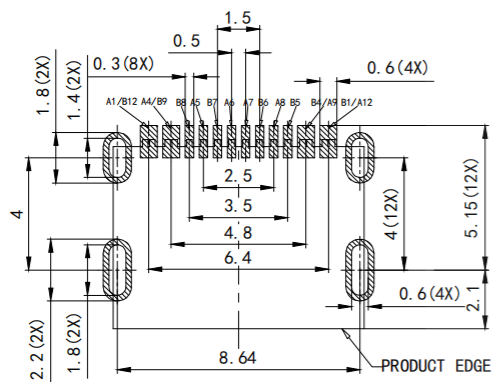
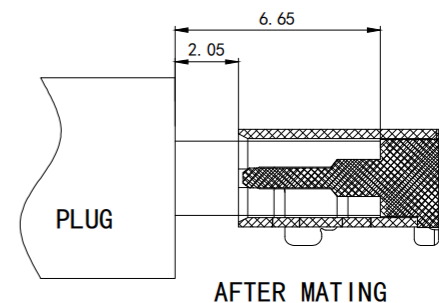
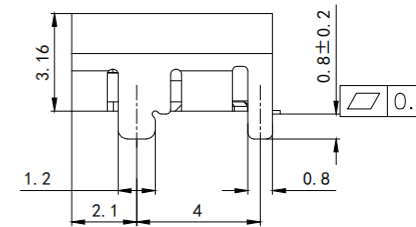
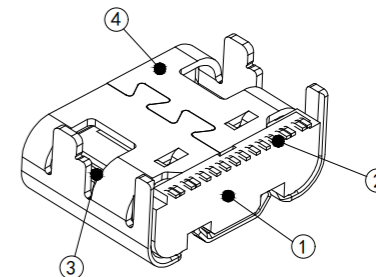
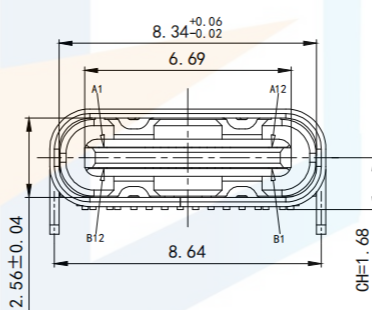
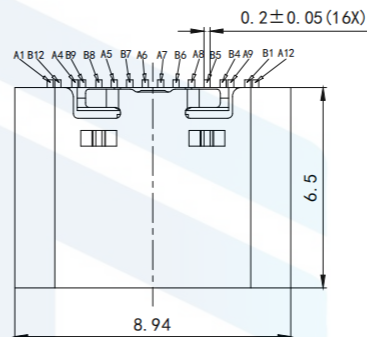
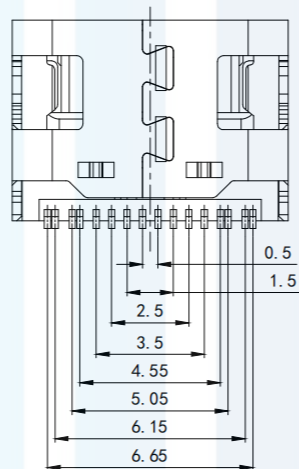


RoHS2.0
Compliant



RECOMMENDED PCB LAYOUT (TOP VIEW)
THICKNESS 0.6MM DEFAULT TOLERANCE ± 0.05



NOTE:

1. MATERIAL SPECIFICATION:

1. HOUSING: HIGH TEMPERATURE RESISTANT PLASTIC LCP BK, UL94 V-0.
2. CONTACTS: COPPER ALLOY C1814
3. MID PLATE: STAINLESS STEEL SUS301
4. FRONT SHELL: STAINLESS STEEL SUS304

2. PLATING SPECIFICATION:

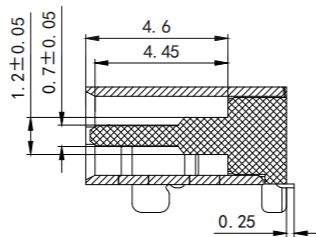
- 2-1. CONTACTS: Ni 50U" MIN. UNDER PLATED OVER ALL.
AU PLATED ON THE FUNCTIONAL AREA OF CONTACT
(GOLD PLATING THICKNESS FOLLOW THE P/N)
PLATING SPECIFICATIONS OF THE SOLDER AREA FOLLOW THE P/N
- 2-2. FRONT SHELL:
Ni 30U" MIN. UNDER PLATED OVER ALL
- 2-3. MID PLATE:
CLEAR ONLY

3. MECHANICAL PERFORMANCE:

- 3-1. INSERTION FORCE: 0.5~2. Dkgf.
- 3-2. REMOVAL FORCE: 0.8kgf~2.0kgf.
- 3-3. DURABILITY: 10000 CYCLES.

4. ELECTRICAL PERFORMANCE:

- 4-1. CURRENT RATING: 5.0A
VOLTAGE RATING: 5.0V
- 4-2. LLGR:
VBUS & GND PINS AND OTHER PINS: 40m2/PIN MAX.
SHIELD: 50m2/MAXLLGR MAX.
CHANGE OF ALL PINS: 10mm.
- 4-3. INSULATION RESISTANCE: 100M2 MIN
- 4-4. DIELECTRIC WITHSTAND VOLTAGE, AC 100V FOR 1 MINUTE
5. ENVIRONMENTAL PERFORMANCE: OPERATING TEMPERATURE: -25°C~+85°C
6. IR REFLOW:
THE PEAK TEMPERATURE ON THE BOARD SHALL
BE MAINTAINED FOR 10 SECONDS AT 260°C.

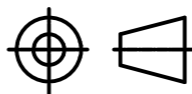


SECTION A-A
SCALE 1:1

TOLERANCE

X. XXX	± 0.05
X. XX	± 0.15
X. X	± 0.20
X.	± 0.30
ANGLE	$\pm 5.0^\circ$

PROTECTON



东莞市恒祺电子科技有限公司
Dongguan Hengqi Electronic Technology Co., Ltd

<https://www.hq-dz.com>

phone: 15812872448

TITLE:

TYPE C 16P板上端子SMT
4定位脚插板L=6.5

PART NO: 成品图

DRAWING NO: 8.94*6.5*3.16

DRAWN:

CHECKED:

APPROVED:

DATE:

DATE:

DATE:

18-10-08

18-10-08

18-10-08

UNIT:
mm
SCALE:
FULL
SIZE:
A4