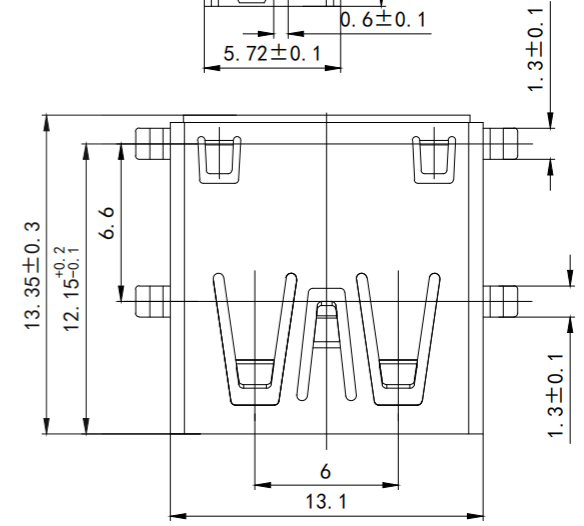
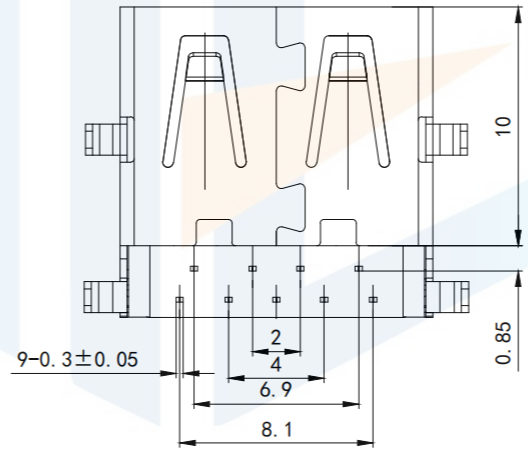
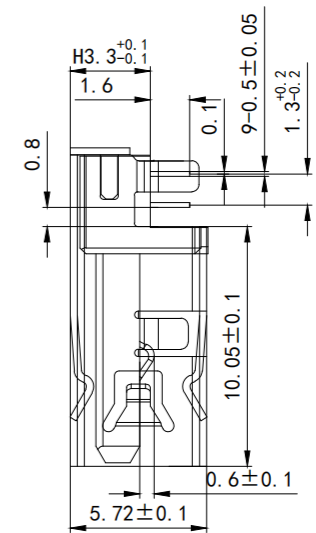
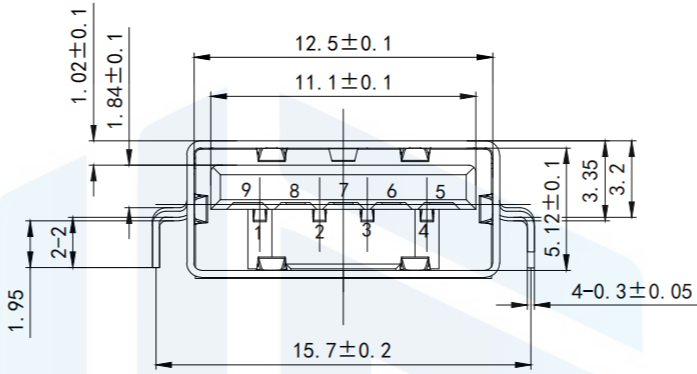
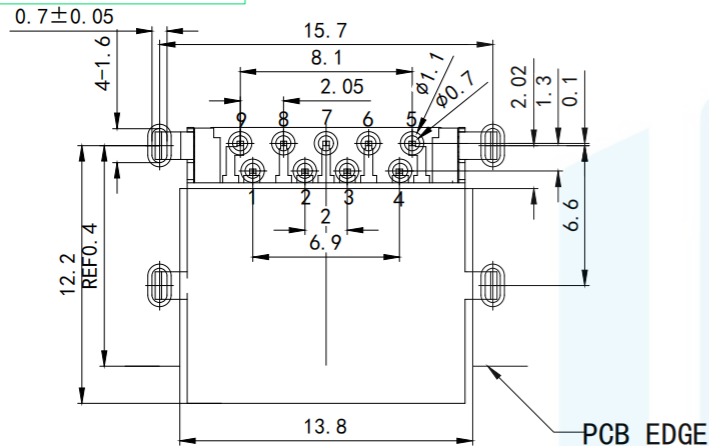


RoHS2.0  
Compliant



TOLERANCE:  $\pm 0.05$ , THICKNESS: 1.2 mm  
NOTE: RECOMMENDED PCB LAYOUT

1. MATERIAL:

- 1.1 INSULATOR: LCP UL 94V-0
- 1.2 CONTACT: BRONZE (T=0.20mm)
- 1.3 SHELL: SUS201 (T=0.30mm)

2. ELECTRICAL CHARACTERISTICS:

- 2.1 CONTACT RESISTANCE: 30mΩ MAXIMUM
- 2.2 CONTACT CURRENT RATING: 1.5A
- 2.3 DIELECTRIC WITHSTANDING VOLTAGE: 500 V R. M. S.
- 2.4 INSULATION RESISTANCE 1000 MEGOHMS MIN
- 2.5 OPERATING TEMPERATURE: -40° C ~ 85° C

3 MECHANICAL CHARACTERISTICS:

- 3.1 MATING FORCE: 3.57kg MAX
- 3.2 UNMATED FORCE: 1.02kg MIN
- 3.3 DURABILITY: MANDATORY: 5,000 CYCLES

4. PLATING

- 4.1 TERMINAL:
  - 50u" MIN NICKEL ALL OVER
  - 100u" MIN Tin ON SOLDER AREA
  - (1~30)u" Au ON CONTACT AREA
- 4.2 SHELL: 100u" MIN. NICKEL ALL OVER

Pin #	SIGNAL NAME
1	VBUS
2	D-
3	D+
4	GND
5	StdA_SSRX-
6	StdA_SSRX+
7	GND_DRAIN
8	StdA_SSTX-
9	StdA_SSTX+
Shell	Shield

TOLERANCE	
X. XXX	$\pm 0.05$
X. XX	$\pm 0.15$
X. X	$\pm 0.20$
X.	$\pm 0.30$
ANGLE	$\pm 5.0^\circ$

PROTECTON	

	东莞市恒祺电子科技有限公司 Dongguan Hengqi Electronic Technology Co., Ltd	
	<a href="https://www.hq-dz.com">https://www.hq-dz.com</a> phone: 15812872448	
TITLE: USB3.0 A/F 沉板H=3.3双排 90度插板带后盖直边		PART NO: USB3.0-V029
DRAWN:		DRAWING NO: 13.35*13.1*5.72
CHECKED:		DATE: 18-10-08      UNIT: mm
APPROVED:		DATE: 18-10-08      SCALE: FULL
		DATE: 18-10-08      SIZE: A4