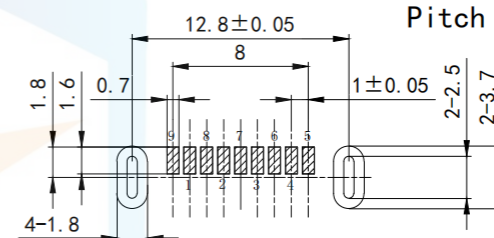
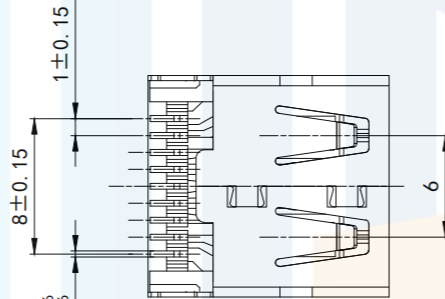
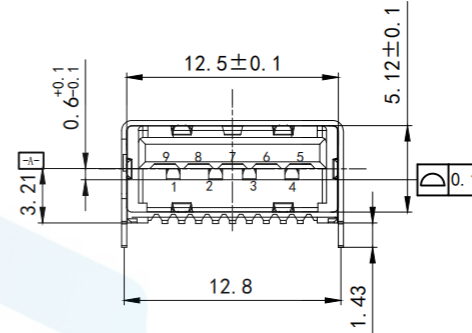
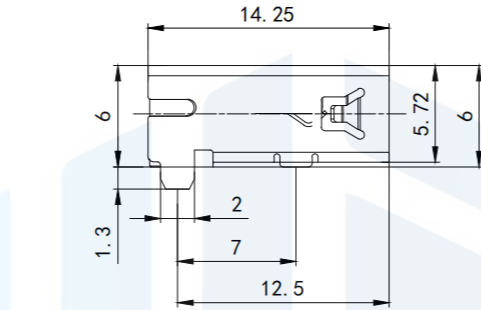
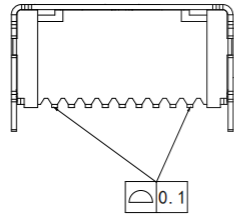


RoHS2.0
Compliant



Pin NUMBER	SIGNAL NAME
1	VBUS
2	D-
3	D+
4	GND
5	StdA_SSRX-
6	StdA_SSRX+
7	GND_DRAIN
8	StdA_SSTX-
9	StdA_SSTX+
Shell	Shield

NOTE:

1. MATERIAL:

- 1.1 INSULATOR: LCP UL 94V-0
- 1.2 CONTACT: BRONZE
- 1.3 SHELL: BRASS

2. ELECTRICAL CHARACTERISTICS:

- 2.1 CONTACT RESISTANCE: 30mΩ MAXIMUM
- 2.2 CONTACT CURRENT RATING: 1.5A
- 2.3 DIELECTRIC WITHSTANDING VOLTAGE: 100 V AC

R. M. S.

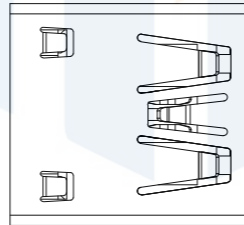
- 2.4 INSULATION RESISTANCE 100 MEGOHMS MIN
- 2.5 OPERATING TEMPERATURE: -40°C ~ 85°C

3 MECHANICAL CHARACTERISTICS:

- 3.1 MATING FORCE: 3.57kgf MAX
- 3.2 UNMATED FORCE: 0.82kgf MIN AFTER TEST
- 3.3 DURABILITY MANDATORY: 1200 CYCLES

4. PLATING

- 4.1 TERMINAL:
 - 50u" MIN NICKEL ALL OVER
 - 80u" MIN Tin ON SOLDER AREA
 - (1~30)u" Au ON CONTACT AREA
- 4.2 SHELL: 100u" MIN. NICKEL ALL OVER



PCB EDGE

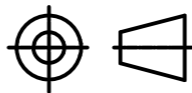
RECOMMENDED PCB LAYOUT

TOLERANCE: ±0.05mm

TOLERANCE

X. XXX	±0.05
X. XX	±0.15
X. X	±0.20
X.	±0.30
ANGLE	±5.0°

PROTECTON



东莞市恒祺电子科技有限公司

Dongguan Hengqi Electronic Technology Co., Ltd

<https://www.hq-dz.com>

phone: 15812872448

TITLE:

USB 3.0 A/F 短体板上直边
(L=14.25) 外壳四脚插板

PART NO: USB3.0-V178

DRAWING NO: 14.25*12.5*6.0

DRAWN:

CHECKED:

APPROVED:

DATE:

DATE:

DATE:

18-10-08

18-10-08

18-10-08

UNIT:
mm

SCALE:
FULL

SIZE:
A4