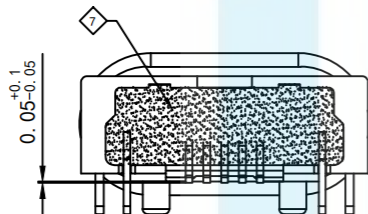
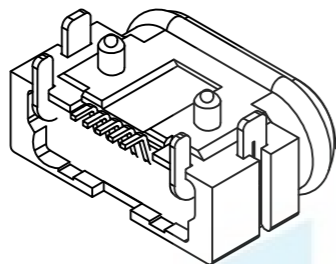
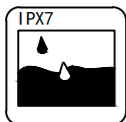


RoHS2.0  
Compliant



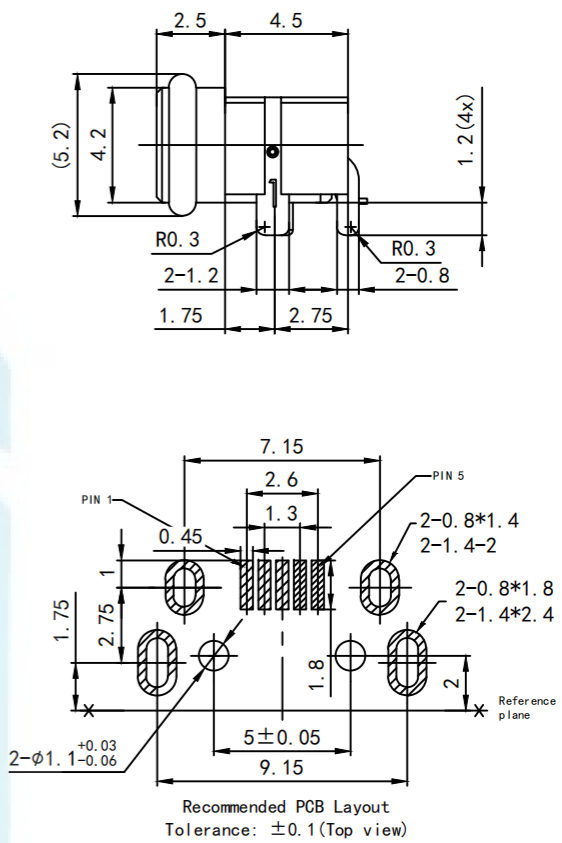
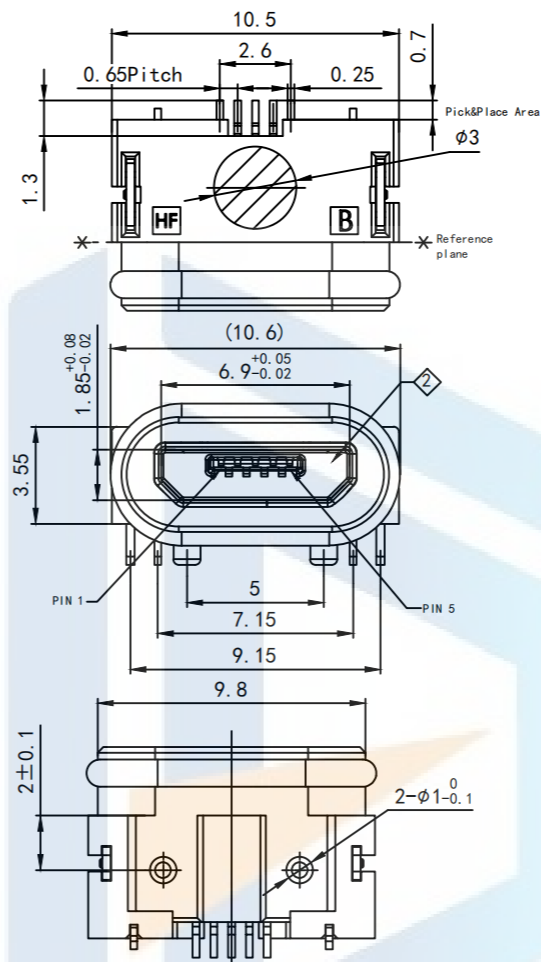
**SPECIFICATIONS:**

**1. ELECTRICAL CHARACTERISTICS:**

- 1-1. RATING: 1.8A (PIN1/5), 0.5A (PIN2/3/4)
- 1-2. CONTACT RESISTANCE: 30m MAX. (INITIAL)
- 1-3. DIELECTRIC WITHSTANDING VOLTAGE: 300V AC FOR ONE MINUTE
- 1-4. INSULATION RESISTANCE: 100M MIN. MEASURED BY 500 VDC

**2. MECHANICAL CHARACTERISTICS:**

- 2-1. INSERTION FORCE : 3.6 KGF (MAX)
- 2-2. WITHDRAWAL FORCE : 0.8 KGF (Reference)
- 3. DURABILITY: 10,000 CYCLES
- 4. WATER PROOFNESS: THIS PRODUCT IS BASED ON IPX7 (1m, 30min)
- 5. PLUG INTERFACE DIMENSIONS CONFORM TO USB2.0 SPEC.
- 6. OVAL RING
- 6-1. The amount of low molecular siloxanes (D3~D10) is less than 200ppm
- 6-2. Hardness of silicone rubber: 70°
- 6-3. Horizontal flash 0.1max; Longitudinal flash 0.10max
- 7. BODY WITH O-RING'S SEAL AREA BURRS IS 0.05mm Max.
- 8. FOR REFLOW SOLDERING LEAD-FREE PROCESS.
- 9. PACKAGING: TAPE & REEL.



|  |  |  |                    |
|--|--|--|--------------------|
| <b>TOLERANCE</b><br>X. XXX ±0.05<br>X. XX ±0.15<br>X. X ±0.20<br>X. ±0.30<br>ANGLE ±5.0° |  | <b>东莞市恒祺电子科技有限公司</b><br>Dongguan Hengqi Electronic Technology Co., Ltd       |                    |
|  |  | <a href="https://www.hq-dz.com">https://www.hq-dz.com</a> phone: 15812872448 |                    |
| <b>PROTECTON</b><br>   | <b>DRAWN:</b><br><br><b>CHECKED:</b><br><br><b>APPROVED:</b> | <b>TITLE:</b><br>MICRO 5PIN 防水母座板上型<br>4脚插板                                  |                    |
|  |  | <b>PART NO: 成品图</b>  |                    |
|  |  | <b>DRAWING NO: 10.5*4.2*7</b>  |                    |
|  |  | <b>DATE:</b> 18-10-08  | <b>UNIT:</b> mm    |
|  |  | <b>DATE:</b> 18-10-08  | <b>SCALE:</b> FULL |
|  |  | <b>DATE:</b> 18-10-08  | <b>SIZE:</b> A4    |