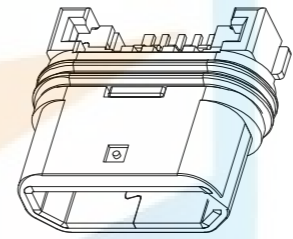
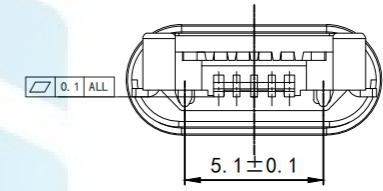
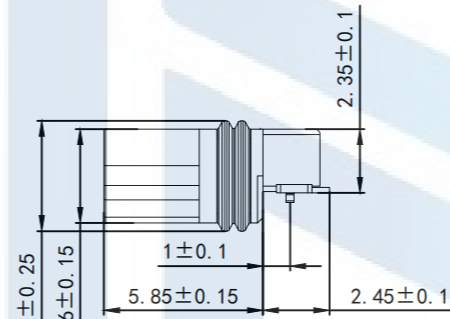
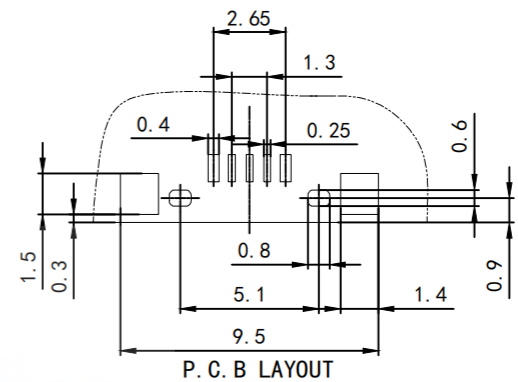
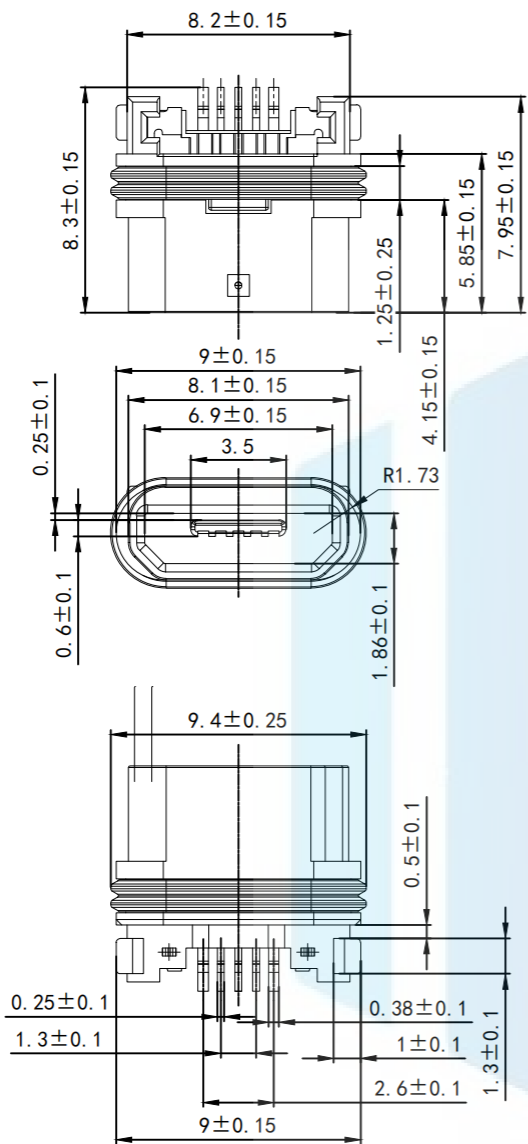
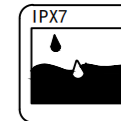


RoHS2.0
Compliant



Specification:

1. Current Rating: 1.0 AMP
2. Voltage Rating: 30V AC, DC
3. Dielectric Strength: 500V AC RMS for 1 minute
4. Contact Resistance: 30 mΩ Max.
5. Insulator Resistance: 500MΩ Min. AT 250V DC
6. Mating/Unmating cycles: 2000cycles
7. Temperature: -20°C to +60°C

TOLERANCE			东莞市恒祺电子科技有限公司 Dongguan Hengqi Electronic Technology Co., Ltd						
X. XXX	±0.05								
X. XX	±0.15	https://www.hq-dz.com			phone:15812872448				
X. X	±0.20	TITLE: MICRO 5PIN 防水母座正向沉板型		PART NO:成品图					
X.	±0.30			DRAWING NO:9.4*3.46*7.95					
ANGLE	±5.0°	PROTECTON 		DRAWN:		DATE:	18-10-08	UNIT:	mm
				CHECKED:		DATE:	18-10-08	SCALE:	FULL
				APPROVED:		DATE:	18-10-08	SIZE:	A4