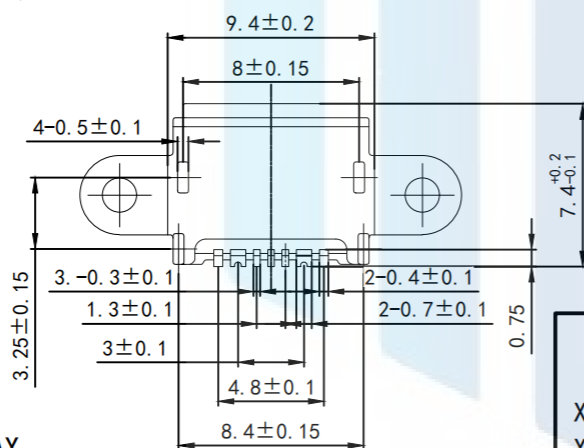
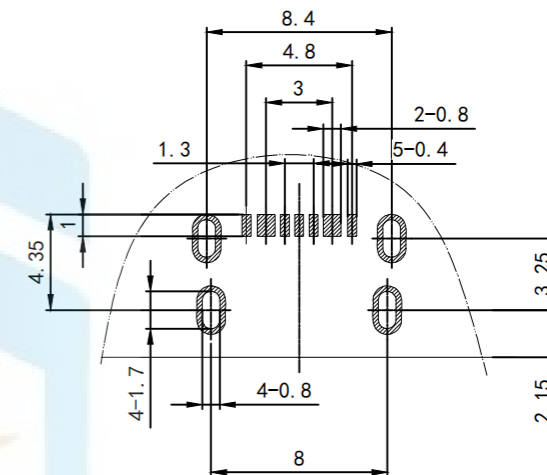
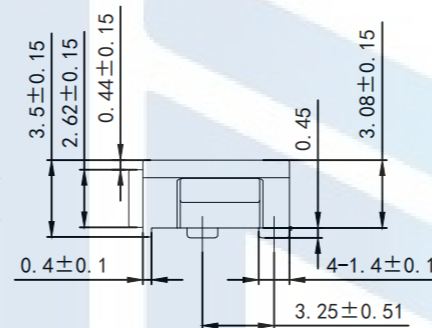
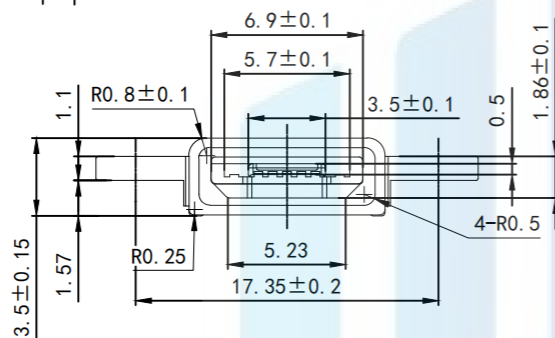
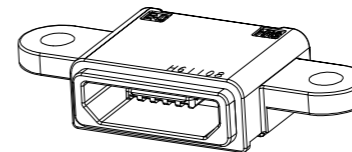
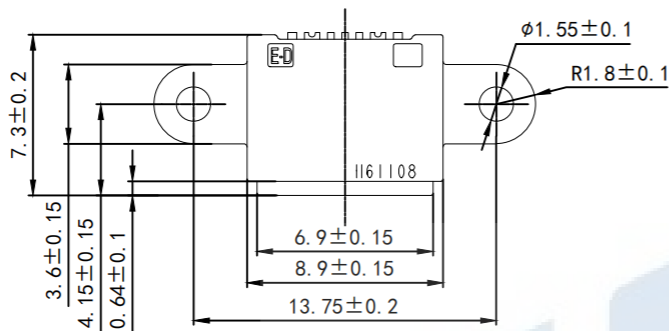
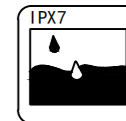


RoHS2.0
Compliant



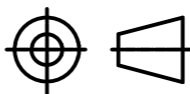
NOTES:

1. CURRENT RATING:2.0A MAX
2. VOLTAGE:100V AC
3. TEMPERATURE RANGE:-30°C~85°C:
4. CONTACT RESISTANCE:40 MILLIONHM MAX.
5. INSULATION RESISTANCE:100M MEFOHMS MIN.
6. LNSERTION FORCE:5N~20N
7. NMATING FORCE:8N~20N
8. DURABILITY:10,000 CYCLES.

TOLERANCE

| | |
|--------|-------|
| X. XXX | ±0.05 |
| X. XX | ±0.15 |
| X. X | ±0.20 |
| X. | ±0.30 |
| ANGLE | ±5.0° |

PROTECTON



东莞市恒祺电子科技有限公司

Dongguan Hengqi Electronic Technology Co., Ltd

<https://www.hq-dz.com>

phone:15812872448

TITLE:

Micro USB 7Pin板上型 防水款带锁孔

PART NO:成品图

DRAWING NO:17.35*7.3*3.08

DRAWN:

CHECKED:

APPROVED:

DATE:

DATE:

DATE:

18-10-08

18-10-08

18-10-08

UNIT:
mm

SCALE:
FULL

SIZE:
A4