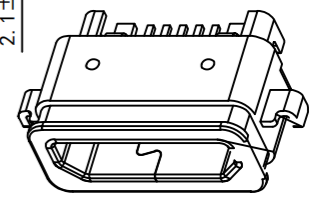
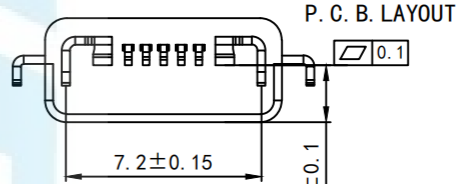
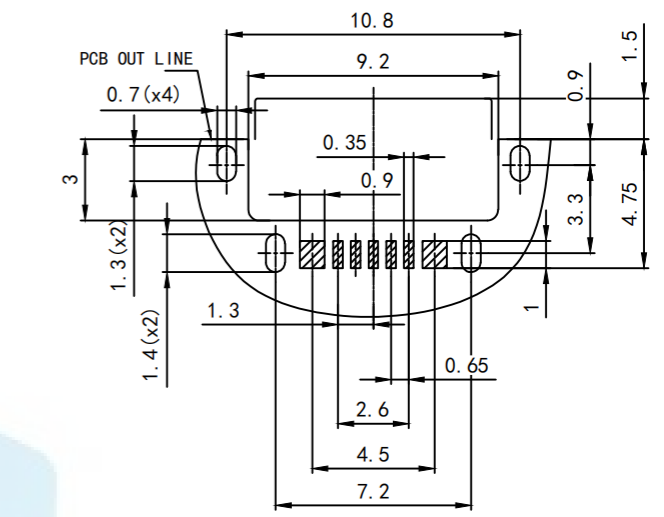
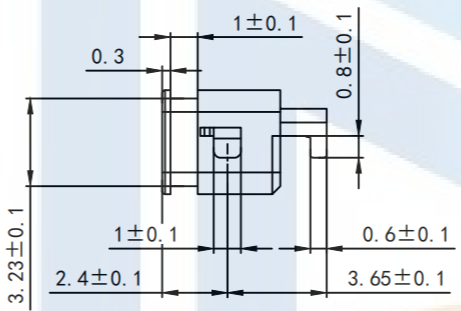
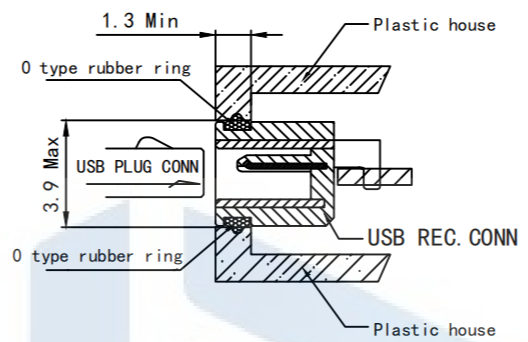
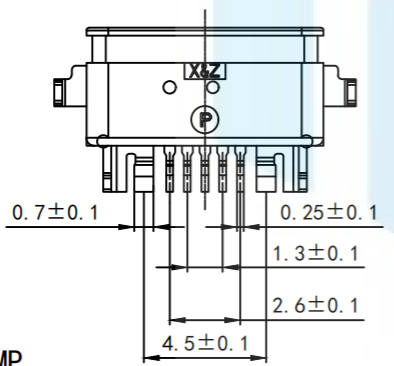
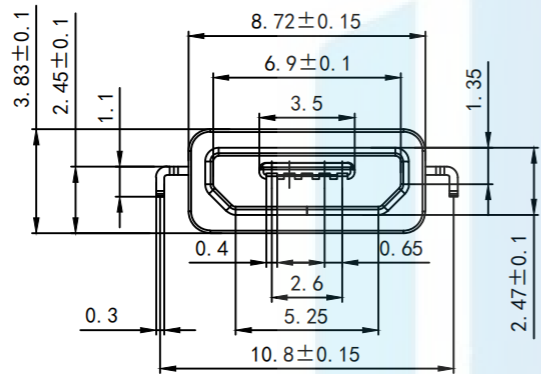
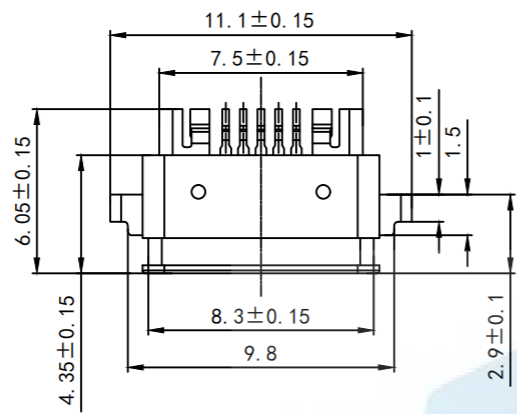
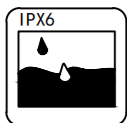


RoHS2.0  
Compliant



Specification:

1. Current Rating: 1.0 AMP
2. Voltage Rating: 30V AC, DC
3. Dielectric Strength: 500V AC RMS for 1 minute.
4. Contact Resistance: 30 mΩ Max
5. Insulator Resistance: 500MΩ Min. AT 250V DC
6. Mating/Unmating cycles: 2000cycles
7. Temperature: -20°C to +60°C

<b>TOLERANCE</b> X. XXX ±0.05 X. XX ±0.15 X. X ±0.20 X. ±0.30 ANGLE ±5.0°		东莞市恒祺电子科技有限公司 Dongguan Hengqi Electronic Technology Co., Ltd	
		https://www.hq-dz.com      phone: 15812872448	
<b>PROTECTON</b> 	<b>DRAWN:</b>  <b>CHECKED:</b>  <b>APPROVED:</b>	<b>TITLE:</b> Micro 5PIN B型 沉板2.10	
		<b>PART NO:</b> 成品图	
		<b>DRAWING NO:</b> 11.1*6.05*3.23	
		<b>DATE:</b> 18-10-08	<b>UNIT:</b> mm
		<b>DATE:</b> 18-10-08	<b>SCALE:</b> FULL
		<b>DATE:</b> 18-10-08	<b>SIZE:</b> A4