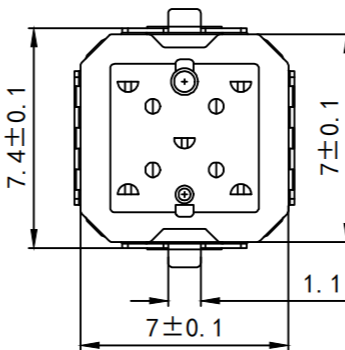
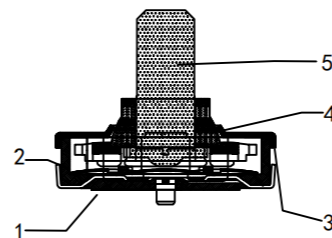
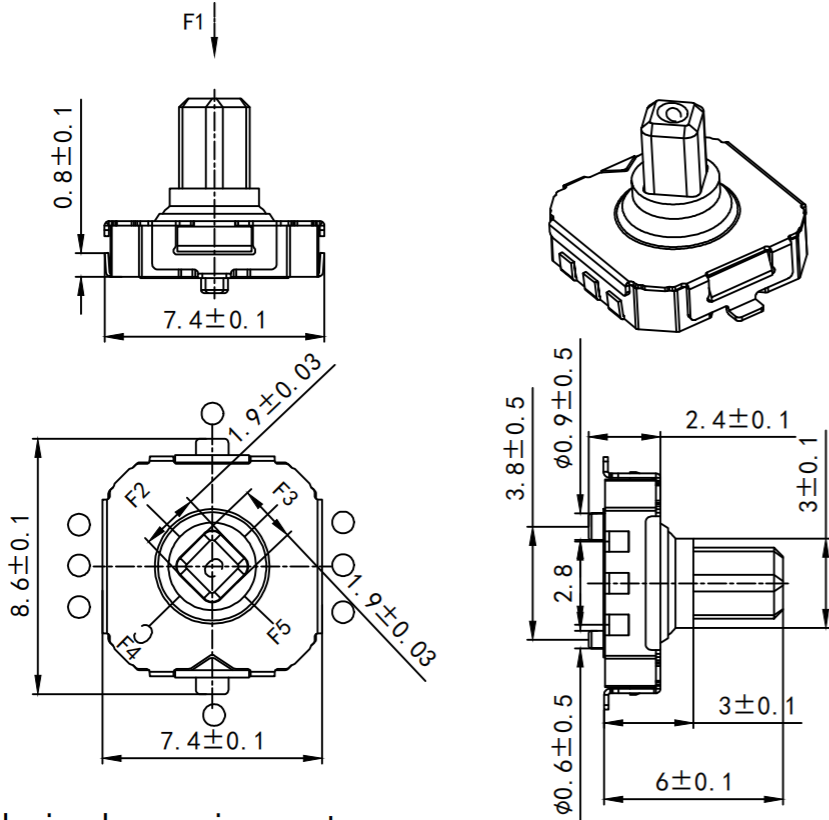
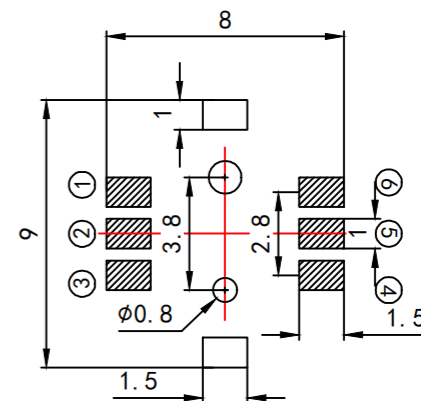


RoHS2.0
Compliant



印制板安装孔图



电路图

	①	②	③	④	⑤	⑥
F1		○			○	
F2				○		
F3			○			
F4					○	○
F5	○				○	

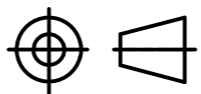
Technical requirement

- Rated voltage :DC 50V 0.3A
- Contact resistance :30MΩ MAX less than 30MΩ
- Insulation resistance :100MΩ MIN 100 megohm or more
- Compressive strength :AC500V (50/60Hz) 1 minute sensitivity current is 0.5mA
- Operating temperature: $-16^{\circ}\text{C} \pm 60^{\circ}\text{C}$
- Mechanical life: 10,000 cycles

TOLERANCE

X. XXX	± 0.05
X. XX	± 0.15
X. X	± 0.20
X.	± 0.30
ANGLE	$\pm 5.0^{\circ}$

PROTECTON



东莞市恒祺电子科技有限公司

Dongguan Hengqi Electronic Technology Co., Ltd

<https://www.hq-dz.com>

phone:15812872448

TITLE:

多功能五向开关

PART NO:成品图

DRAWING NO:HQ-A07-02A

DRAWN:

DATE:

18-10-08

UNIT:
mm

CHECKED:

DATE:

18-10-08

SCALE:
FULL

APPROVED:

DATE:

18-10-08

SIZE:
A4