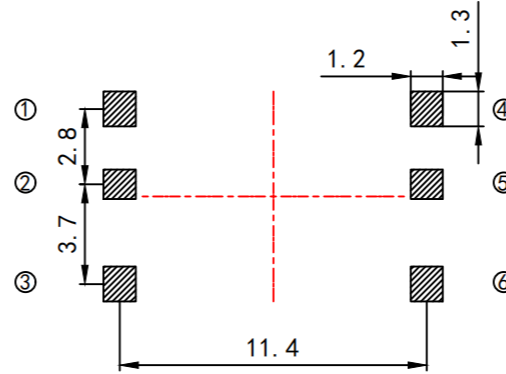
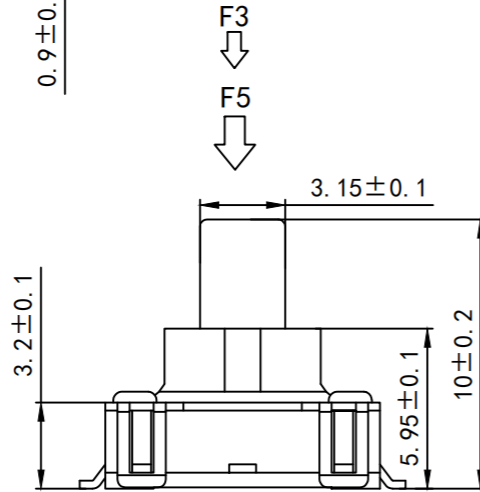
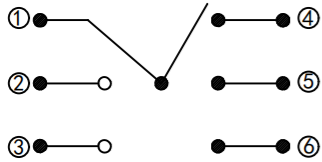
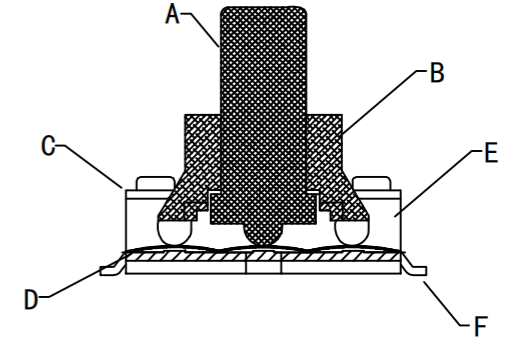
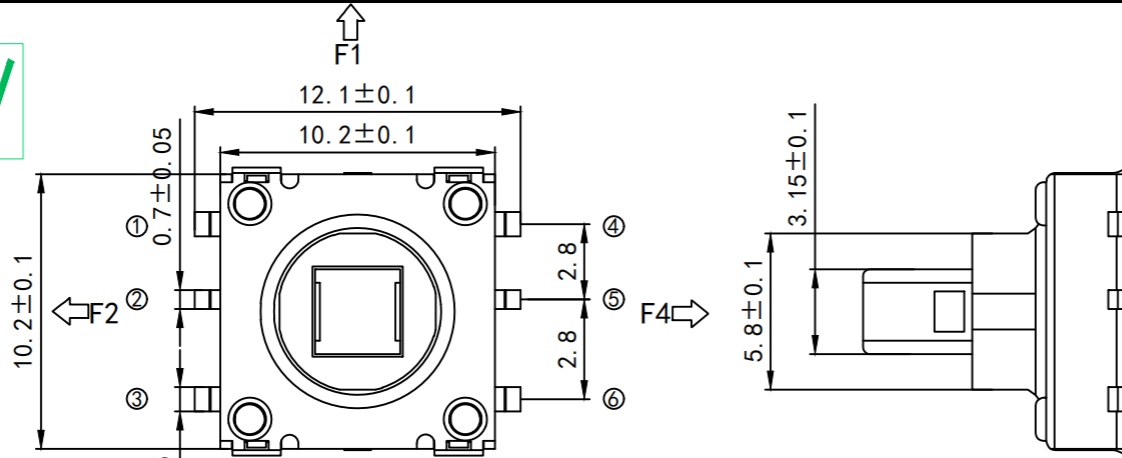


RoHS2.0
Compliant



	1	2	3	4	5	6
F1	○			○		
F2	○	○				
F3	○				○	
F4	○			○		
F5	○		○			

Technical requirements

1. Rated Current: 0.1A MAX
2. Rated voltage: DC 12V
3. Contact resistance: $\leq 80\text{m}\Omega$
4. Insulation Resistance: $\geq 100\text{M}\Omega$
5. Compressive strength: AC100V 50Hz/1 min
6. Operating force: $250 \pm 50\text{gf}$ 4- $150\text{gf} \pm 50\text{gf}$
7. Mechanical life: 50,000 cycles Min
8. Temperature Range: -25°C T0 $+70^\circ\text{C}$

TOLERANCE	X. XXX	± 0.05		东莞市恒祺电子科技有限公司	
	X. XX	± 0.15		Dongguan Hengqi Electronic Technology Co., Ltd	
X. X	± 0.20		https://www.hq-dz.com		phone: 15812872448
X.	± 0.30		TITLE: 多功能轻触开关		PART NO: 成品图
ANGLE	$\pm 5.0^\circ$		DRAWING NO: HQ-A07-12A		
PROTECTON 	DRAWN:		DATE:	18-10-08	UNIT: mm
	CHECKED:		DATE:	18-10-08	SCALE: FULL
	APPROVED:		DATE:	18-10-08	SIZE: A4