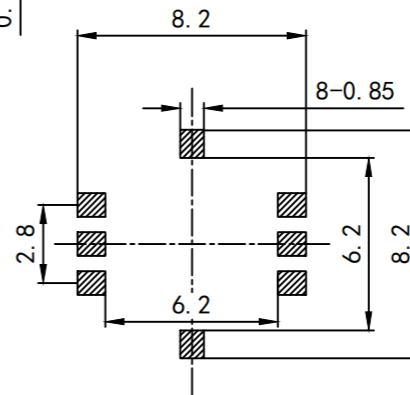
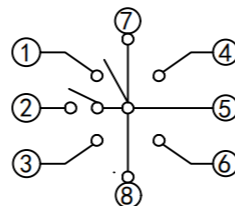
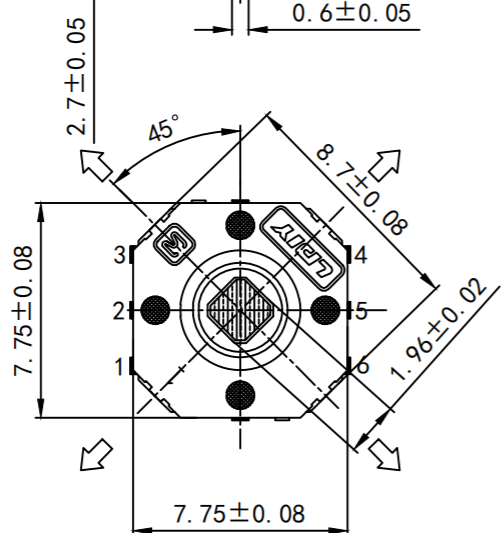
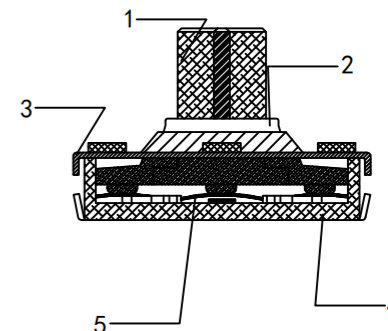
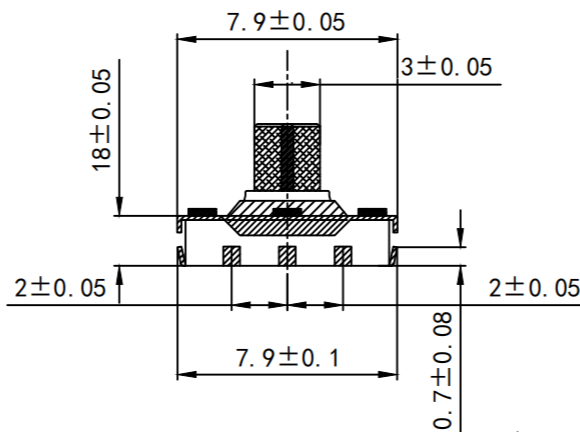
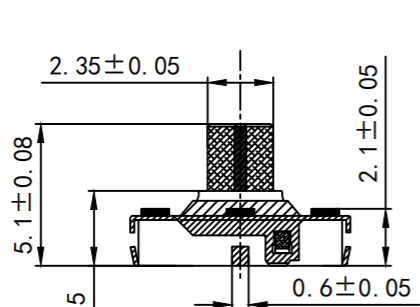


RoHS2.0
Compliant

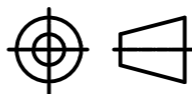


Rated Current:50mAMAX
 Rated voltage:DC 12V
 Insulation Resistance:Z100MQ
 Compressive strength:AC250V 50Hz/1 min
 Operating force:5-150+30gf
 Mechanical life:100,000 cycles
 Temperature Range:-10° C~+60° C

TOLERANCE

X. XXX	±0.05
X. XX	±0.15
X. X	±0.20
X.	±0.30
ANGLE	±5.0°

PROTECTON



东莞市恒祺电子科技有限公司
 Dongguan Hengqi Electronic Technology Co., Ltd

<https://www.hq-dz.com>

phone:15812872448

TITLE:
多功能五向开关

PART NO:成品图

DRAWING NO:HQ-A07-06刻字

DRAWN:	DATE:	18-10-08	UNIT:	mm
CHECKED:	DATE:	18-10-08	SCALE:	FULL
APPROVED:	DATE:	18-10-08	SIZE:	A4